

Daphne Led



Tommaso Cimini - Ettore Cimini, 1976

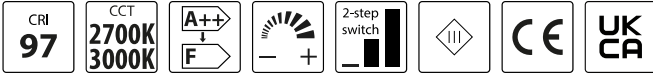


Table lamp in steel with swivelling arms and 360-degree rotating head, for diffused directional light. Lighting source 9W-LED controlled by a switch that can be set to dual light intensity or dimmer.

FINISHINGS

 Black Soft Touch 3000K - cod. 01L01ST00 2700K - cod. 01L01STK27	 Brushed Nickel 3000K - cod. 01L4400 2700K - cod. 01L44K27
 Matt White 3000K - cod. 01L02OP00 2700K - cod. 01L02OPK27	 Metallic Bronze 3000K - cod. 01L29MT00 2700K - cod. 01L29MTK27
 Matt Red 3000K - cod. 01L03OP00 2700K - cod. 01L03OPK27	 Gold Brushed 3000K - cod. 01L45SL00 2700K - cod. 01L45SLK27
 Matt Yellow 3000K - cod. 01L05OP00 2700K - cod. 01L05OPK27	

ALL RAL COATING AND GALVANIC FINISHES AVAILABLE UPON REQUEST

LIGHT EMISSION

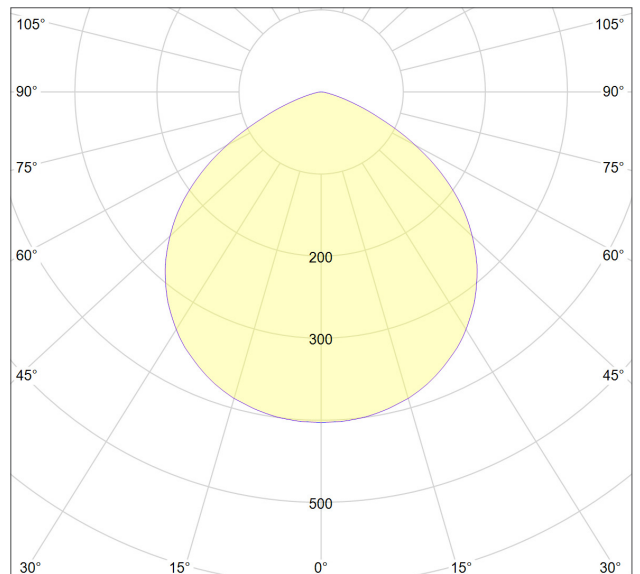
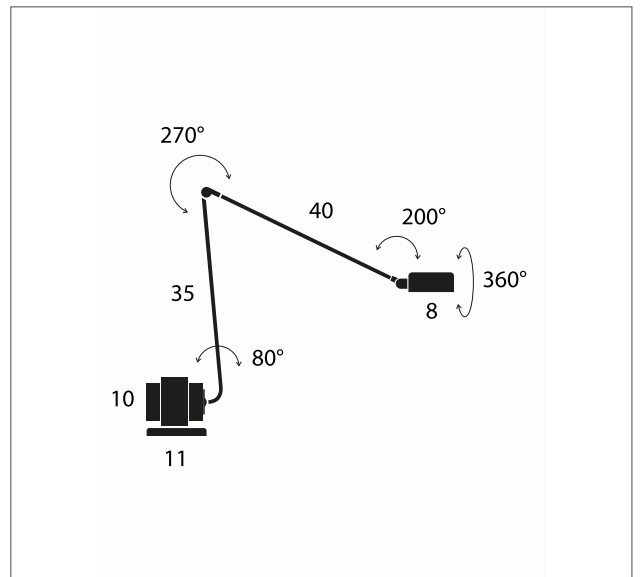
Light source power: 8,5W	Efficacy 3000K: 61lm/W
Power absorption: 10,5W	Source Flux 2700K: 775lm@250mA
Light Emission: Diffuse	Emitted Flux 2700K: 622lm
Light Direction: Directional	Efficacy 2700K: 59lm/W
Light Source: Discrete LED	CCT: 2700/3000K
Source Flux 3000K: 800lm@250mA	CRI: 97
Emitted Flux 3000K: 643lm	Lifetime: >55000h

ELECTRICAL FACTS

Stand-by absorption: <0.5
Mains Voltage: 100/240VAC
Master output: 24VDC; max 0.83A
Ta max: 40°C

PACKAGING DATA

Box dimensions: 22x53x14 cm
Volume: 0,016 m³
Gross weight: 3,42 kg



Daphne - 50th Anniversary

Tommaso Cimini, 1976

LUMINA

Last release - 2026, March



50TH
ANNIVERSARY
1976 / 2026
DAPHNE
design Tommaso Cimini



Table lamp celebrating its 50th Anniversary. Made of aluminium and steel with two adjustable arms and a 360-degree swivel head for diffused and directional light. LED light source controlled by a switch on the base that can be set to double light intensity or dimmer. The head and shells are coloured, while the arms and base are black. The rear shell features the 50th anniversary logo.



FINISHINGS

<p>Anniversary Green 2700K cod.01LS012K27 3000K cod.01LS012K30</p>	<p>Anniversary Mustard 2700K cod.01LS014K27 3000K cod.01LS014K30</p>
<p>Anniversary Orange 2700K cod.01LS013K27 3000K cod.01LS013K30</p>	

LIGHT EMISSION

Light source power:	9W	Source Flux 2700K:	775lm@250mA
Power absorption:	12W	Emitted Flux 2700K:	622lm
Light Emission:	Diffuse	Efficacy 2700K:	59lm/W
Light Direction:	Directional	Source Flux 3000K:	800lm@250mA
Light Source:	Discrete LED	Emitted Flux 3000K:	643lm
CCT:	2700/3000K	Efficacy 3000K:	61lm/W
CRI:	97		
Lifetime:	>55000h		

ELECTRICAL FACTS

Stand-by absorption:	<0.5W
Mains Voltage:	100/240VAC
Master output:	24VDC; max 0.83A
Ta max:	40°C

PACKAGING DATA

Box dimensions:	22x53x14cm
Volume:	0,016m ³
Gross weight:	3,42Kg

