

Tia 600 TF



Foster+Partners, 2022



Suspension lamp with aluminium shade. The lather aluminium body at the heart of the product houses the integrated 25W-LED light engine with custom developed lens. Phase Cut dimming version.

FINISHINGS

Matt Black 3000K - cod. 182TF010P220 2700K - cod. 182TF010PK27220	Sapphire Blue 3000K - cod. 182TF06ZA220 2700K - cod. 182TF06ZAK27220
Ultra Matt White 3000K - cod. 182TF02UM220 2700K - cod. 182TF02UMK27220	Brushed Aluminum 3000K - cod. 182TF34OP220 2700K - cod. 182TF34OPK27220
Oxygen Red 3000K - cod. 182TF35ST220 2700K - cod. 182TF35STK27220	Metallic Bronze 3000K - cod. 182TF29MT220 2700K - cod. 182TF29MTK27220
Battersea Green 3000K - cod. 182TF28BG220 2700K - cod. 182TF28BGK27220	

ALL RAL COATING AND GALVANIC FINISHES AVAILABLE UPON REQUEST

LIGHT EMISSION

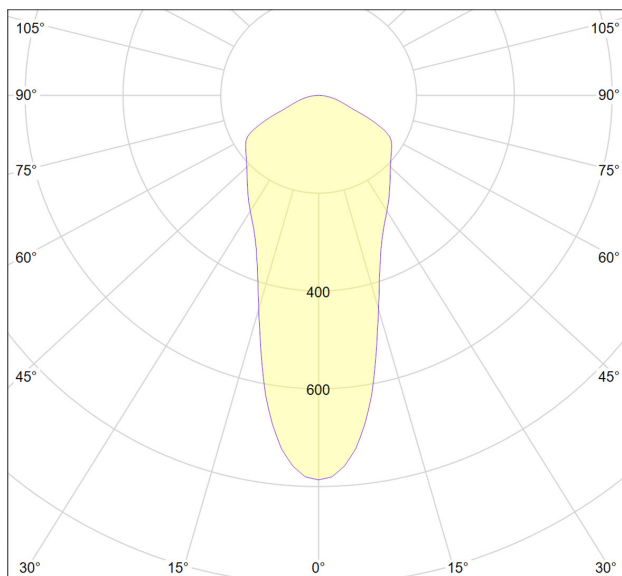
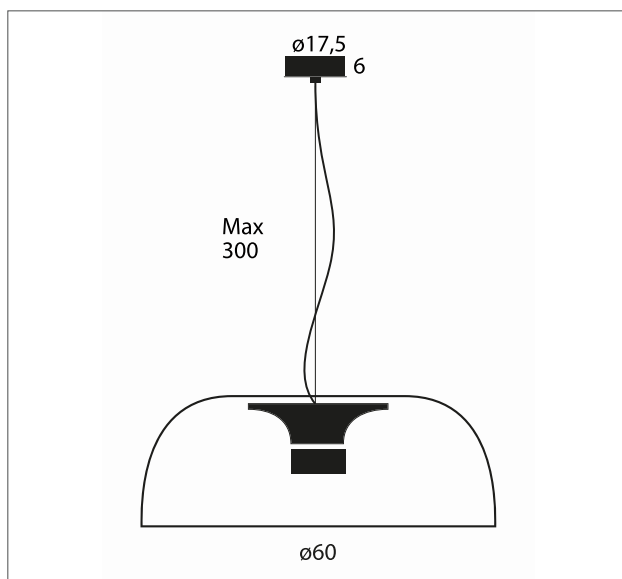
Light source power: 23,8W	Efficacy 3000K: 45 lm/W
Power absorption: 27W	Source Flux 2700K: 2666lm@700mA
Light Emission: Diffuse	Emitted Flux 2700K: 1169lm
Light Direction: Downlight	Efficacy 2700K: 43 lm/W
Light Source: Discrete LED	CCT: 2700/3000K
Source Flux 3000K: 2774lm@700mA	CRI: 97
Emitted Flux 3000K: 1216lm	Lifetime: >55000h

ELECTRICAL FACTS

Stand-by absorption: <0.5
Mains Voltage: 220/240VAC
Master output: 700mA
Ta max: 40°C

PACKAGING DATA

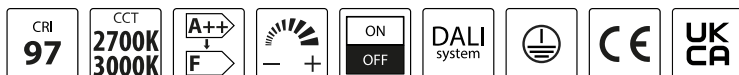
Box dimensions: 67x67x34 cm
Volume: 0,15 m³
Gross weight: 6,5 kg



Tia 600



Foster+Partners, 2022



Suspension lamp with aluminium shade. The latter aluminium body at the heart of the product houses the integrated 25W-LED light engine with custom developed lens. Compatible with 1-10V or DALI dimming.

FINISHINGS

Matt Black 3000K - cod. 182D010P00 2700K - cod. 182D010PK27	Sapphire Blue 3000K - cod. 182D06ZA00 2700K - cod. 182D06ZAK27
Ultra Matt White 3000K - cod. 182D010P00 2700K - cod. 182D010PK27	Brushed Aluminum 3000K - cod. 182D340P00 2700K - cod. 182D340PK27
Oxygen Red 3000K - cod. 182D35ST00 2700K - cod. 182D35STK27	Metallic Bronze 3000K - cod. 182D29MT00 2700K - cod. 182D29MTK27
Battersea Green 3000K - cod. 182D28BG00 2700K - cod. 182D28BGK27	

ALL RAL COATING AND GALVANIC FINISHES AVAILABLE UPON REQUEST

LIGHT EMISSION

Light source power: 23,8W	Efficacy 3000K: 45 lm/W
Power absorption: 27W	Source Flux 2700K: 2666lm@700mA
Light Emission: Diffuse	Emitted Flux 2700K: 1169lm
Light Direction: Downlight	Efficacy 2700K: 43 lm/W
Light Source: Discrete LED	CCT: 2700/3000K
Source Flux 3000K: 2774lm@700mA	CRI: 97
Emitted Flux 3000K: 1216lm	Lifetime: >55000h

ELECTRICAL FACTS

Stand-by absorption: <0.5
Mains Voltage: 100/264VAC
Master output: 700mA
Ta max: 40°C

PACKAGING DATA

Box dimensions: 67x67x34 cm
Volume: 0,15 m³
Gross weight: 6,5 kg

