

Tia 400 TF



Foster+Partners, 2022



Suspension lamp with aluminium shade. The lather aluminium body at the heart of the product houses the integrated 18W-LED light engine with custom developed lens. Phase Cut dimming version.

FINISHINGS

Matt Black 3000K - cod. 181TF010P220 2700K - cod. 181TF010PK27220	Sapphire Blue 3000K - cod. 181TF06ZA220 2700K - cod. 181TF06ZAK27220
Ultra Matt White 3000K - cod. 181TF02UM220 2700K - cod. 181TF02UMK27220	Brushed Aluminum 3000K - cod. 181TF340P220 2700K - cod. 181TF340PK27220
Oxygen Red 3000K - cod. 181TF35ST220 2700K - cod. 181TF35STK27220	Metallic Bronze 3000K - cod. 181TF29MT220 2700K - cod. 181TF29MTK27220
Battersea Green 3000K - cod. 181TF28BG220 2700K - cod. 181TF28BGK27220	

ALL RAL COATING AND GALVANIC FINISHES AVAILABLE UPON REQUEST

LIGHT EMISSION

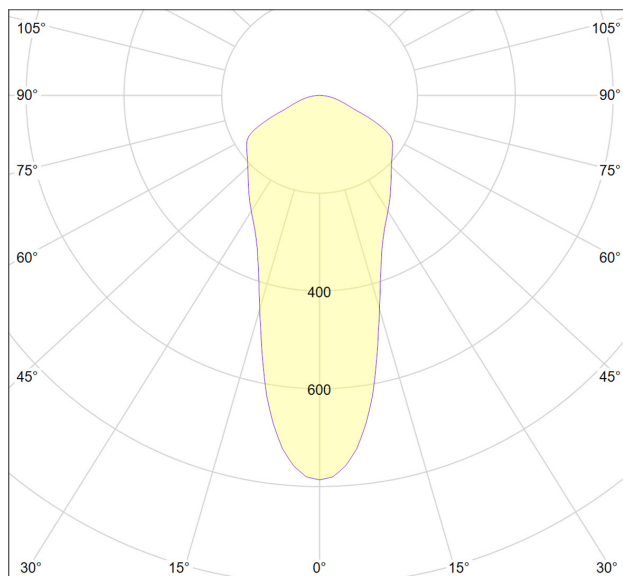
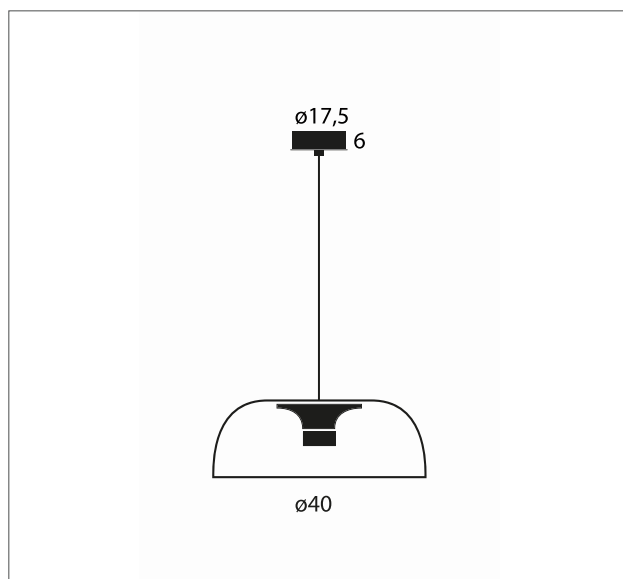
Light source power: 17W	Efficacy 3000K: 42 lm/W
Power absorption: 21W	Source Flux 2700K: 1904lm@500mA
Light Emission: Diffuse	Emitted Flux 2700K: 839lm
Light Direction: Downlight	Efficacy 2700K: 40 lm/W
Light Source: Discrete LED	CCT: 2700/3000K
Source Flux 3000K: 1981lm@500mA	CRI: 97
Emitted Flux 3000K: 873lm	Lifetime: >55000h

ELECTRICAL FACTS

Stand-by absorption: <0.5
Mains Voltage: 220/240VAC
Master output: 500mA
Ta max: 40°C

PACKAGING DATA

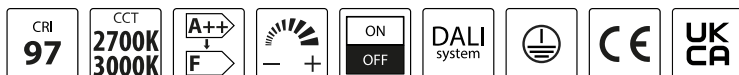
Box dimensions: 46x46x27 cm
Volume: 0,057 m³
Gross weight: 3,2 kg



Tia 400



Foster+Partners, 2022



Suspension lamp with aluminium shade. The latter aluminium body at the heart of the product houses the integrated 18W-LED light engine with custom developed lens. Compatible with 1-10V or DALI dimming.

FINISHINGS

Matt Black 3000K - cod. 181D010P00 2700K - cod. 181D010PK27	Sapphire Blue 3000K - cod. 181D06ZA00 2700K - cod. 181D06ZAK27
Ultra Matt White 3000K - cod. 181D010P00 2700K - cod. 181D010PK27	Brushed Aluminum 3000K - cod. 181D340P00 2700K - cod. 181D340PK27
Oxygen Red 3000K - cod. 181D35ST00 2700K - cod. 181D35STK27	Metallic Bronze 3000K - cod. 181D29MT00 2700K - cod. 181D29MTK27
Battersea Green 3000K - cod. 181D28BG00 2700K - cod. 181D28BGK27	

ALL RAL COATING AND GALVANIC FINISHES AVAILABLE UPON REQUEST

LIGHT EMISSION

Light source power: 17W	Efficacy 3000K: 42 lm/W
Power absorption: 21W	Source Flux 2700K: 1904lm@500mA
Light Emission: Diffuse	Emitted Flux 2700K: 839lm
Light Direction: Downlight	Efficacy 2700K: 40 lm/W
Light Source: Discrete LED	CCT: 2700/3000K
Source Flux 3000K: 1981lm@500mA	CRI: 97
Emitted Flux 3000K: 873lm	Lifetime: >55000h

ELECTRICAL FACTS

Stand-by absorption: <0.5
Mains Voltage: 100/264VAC
Master output: 500mA
Ta max: 40°C

PACKAGING DATA

Box dimensions: 46x46x27 cm
Volume: 0,057 m³
Gross weight: 3,2 kg

