

# Dot 600

design Foster + Partners, 2015

release 2019, December



Suspended lamp for indirect lighting with integrated LED source and diffused light optic system.


Aluminium structure with steel matt-painted reflector.


1-10V dimming or DALI dimming available.

The decentralizing kit is always included.

## Finishing

### Standard

 Anodised black  
cod. 130D01X000

 Anodised brass  
cod. 130D50X000

All RAL coating and galvanic finishes available upon request

## Light emission

- Light emission: diffuse
- Light direction: indirect downlight
- Light source: led board
- Source flux: 2350 lm
- Emitted flux: 893 lm
- Efficacy: 41 lm/W
- CCT: 3000K
- CRI index: 83
- Lifetime: >50000h L70 @ 25°C

## Electrical Facts

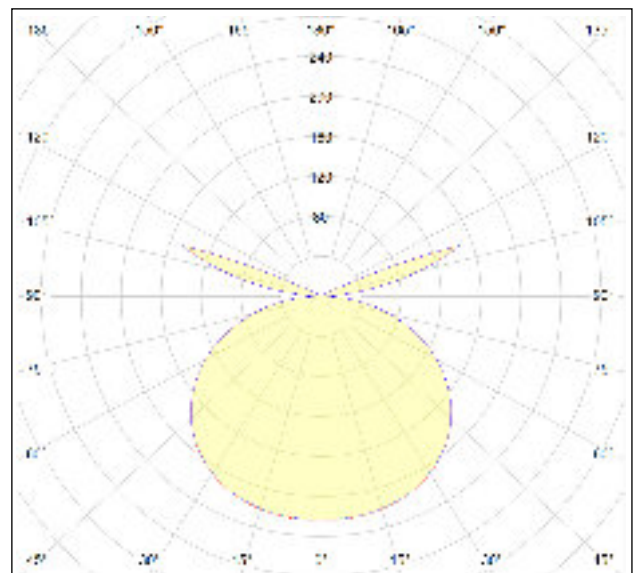
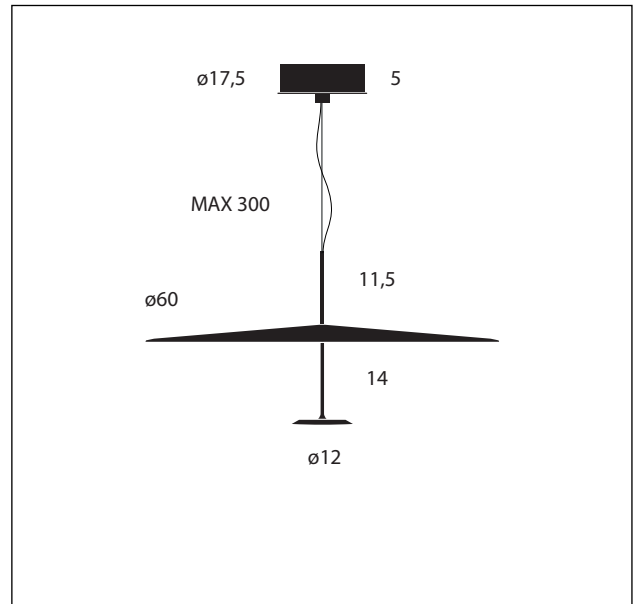
- Source power: 21 W
- Power absorption: 22 W
- Stand-by absorption: < 2 W
- Grid voltage: 100-240V AC/50-60 Hz
- Power supply: internal AC-DC converter provided
- Dimmability: 1-10V, DALI dimmable
- Energy class: A++

## Technical data

- Environment: indoor
- Placement: pendant
- Net weight: 6,5 Kg
- Certifications: CE
- Suggested ambient T: 25°C
- Maximum ambient T: 40°C
- Insulation class: I
- Protection class: IP20

Packaging  
cardboard box  
70 x 70 x 24 (cm)  
0,17 m<sup>3</sup>

Gross weight  
10 Kg



# Dot 600

design Foster + Partners, 2015

release 2019, December



Suspended lamp for indirect lighting with integrated LED source and diffused light optic system.


Aluminium structure with steel matt-painted reflector.


1-10V dimming or DALI dimming available.

The decentralizing kit is always included.

## Finishing

### Standard

 Anodised black  
cod. 130D01XOK27

 Anodised brass  
cod. 130D50XOK27

All RAL coating and galvanic finishes available upon request

## Light emission

- Light emission: diffuse
- Light direction: indirect downlight
- Light source: led board
- Source flux: 2260 lm
- Emitted flux: 860 lm
- Efficacy: 39 lm/W
- CCT: 2700K
- CRI index: 83
- Lifetime: >50000h L70 @ 25°C

## Electrical Facts

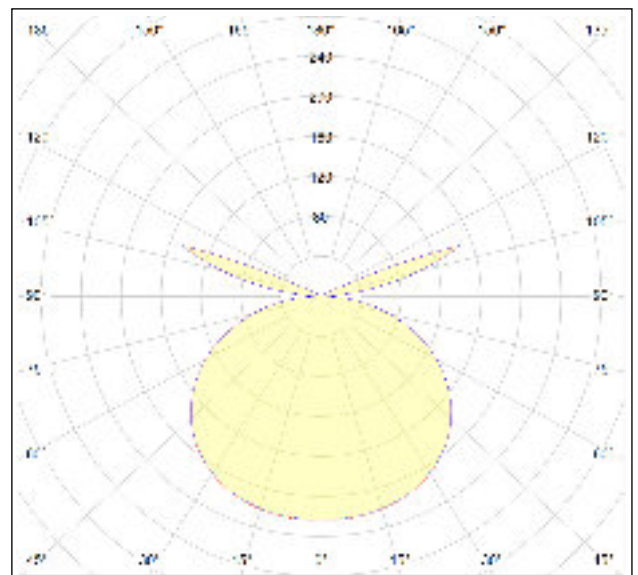
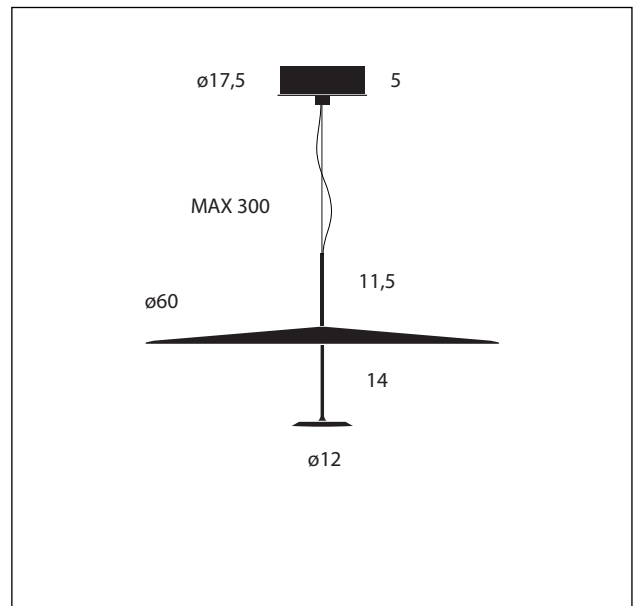
- Source power: 21 W
- Power absorption: 22 W
- Stand-by absorption: < 2 W
- Grid voltage: 100-240V AC/50-60 Hz
- Power supply: internal AC-DC converter provided
- Dimmability: 1-10V, DALI dimmable
- Energy class: A++

## Technical data

- Environment: indoor
- Placement: pendant
- Net weight: 6,5 Kg
- Certifications: CE
- Suggested ambient T: 25°C
- Maximum ambient T: 40°C
- Insulation class: I
- Protection class: IP20

Packaging  
cardboard box  
70 x 70 x 24 (cm)  
0,17 m<sup>3</sup>

Gross weight  
10 Kg



# Dot 600

design Foster + Partners, 2015


release 2019, December




Suspended lamp for indirect lighting with integrated LED source and diffused light optic system.  
Aluminium structure with steel matt-painted reflector.  
1-10V dimming available.  
The decentralizing kit is always included.

## Finishing

### Standard

 Anodised black  
cod. 130D01XO00ETL

 Anodised brass  
cod. 130D50XO00ETL

All RAL coating and galvanic finishes available upon request

## Light emission

- Light emission: diffuse
- Light direction: indirect downlight
- Light source: led board
- Source flux: 2350 lm
- Emitted flux: 893 lm
- Efficacy: 41 lm/W
- CCT: 3000K
- CRI index: 83
- Lifetime: >50000h L70 @ 25°C

## Electrical Facts

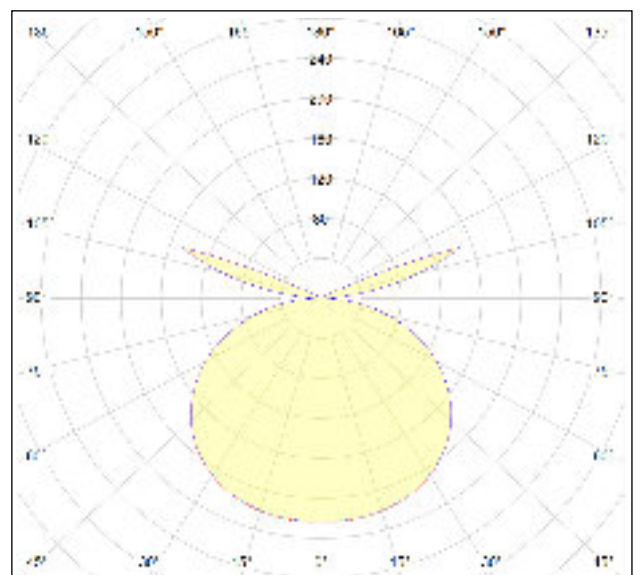
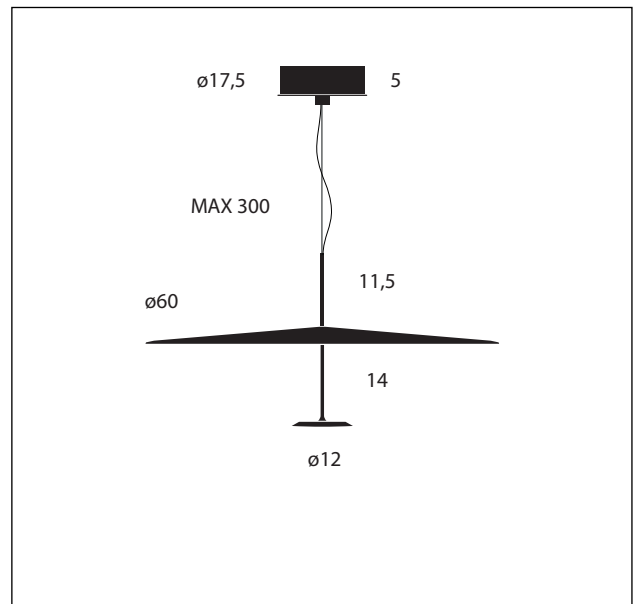
- Source power: 21 W
- Power absorption: 22 W
- Stand-by absorption: < 2 W
- Grid voltage: 100-240V AC/50-60 Hz
- Power supply: internal AC-DC converter provided
- Dimmability: 1-10V dimmable

## Technical data

- Environment: indoor
- Placement: pendant
- Net weight: 6,5 Kg
- Certifications: ETL
- Suggested ambient T: 25°C
- Maximum ambient T: 40°C
- Insulation class: I
- Protection class: IP20

Packaging  
cardboard box  
70 x 70 x 24 (cm)  
0,17 m<sup>3</sup>

Gross weight  
10 Kg



# Dot 600

design Foster + Partners, 2015



release 2019, December



Suspended lamp for indirect lighting with integrated LED source and diffused light optic system.  
Aluminium structure with steel matt-painted reflector.  
1-10V dimming available.  
The decentralizing kit is always included.

## Finishing

### Standard

-  Anodised black  
cod. 130D01XOK27ETL
-  Anodised brass  
cod. 130D50XOK27ETL

All RAL coating and galvanic finishes available upon request

## Light emission

- Light emission: diffuse
- Light direction: indirect downlight
- Light source: led board
- Source flux: 2260 lm
- Emitted flux: 860 lm
- Efficacy: 39 lm/W
- CCT: 2700K
- CRI index: 83
- Lifetime: >50000h L70 @ 25°C

## Electrical Facts

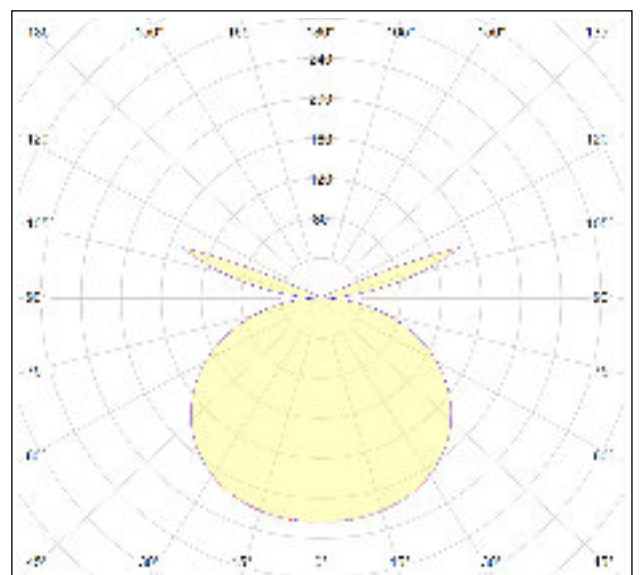
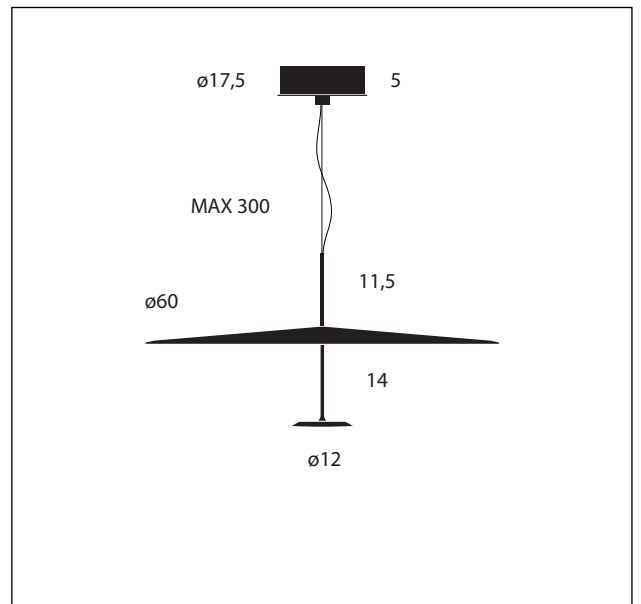
- Source power: 21 W
- Power absorption: 22 W
- Stand-by absorption: < 2 W
- Grid voltage: 100-240V AC/50-60 Hz
- Power supply: internal AC-DC converter provided
- Dimmability: 1-10V dimmable

## Technical data

- Environment: indoor
- Placement: pendant
- Net weight: 6,5 Kg
- Certifications: ETL
- Suggested ambient T: 25°C
- Maximum ambient T: 40°C
- Insulation class: I
- Protection class: IP20

Packaging  
cardboard box  
70 x 70 x 24 (cm)  
0,17 m<sup>3</sup>

Gross weight  
10 Kg



# Dot 800

design Foster + Partners, 2015

release 2019, December



Suspended lamp for indirect lighting with integrated LED source and diffused light optic system.


Aluminium structure with steel matt-painted reflector.


1-10V dimming or DALI dimming available.

The decentralizing kit is always included.

## Finishing

### Standard

 Anodised black  
cod. 131D01X000

 Anodised brass  
cod. 131D50X000

All RAL coating and galvanic finishes available upon request

## Light emission

- Light emission: diffuse
- Light direction: indirect downlight
- Light source: led board
- Source flux: 3250 lm
- Emitted flux: 1780 lm
- Efficacy: 43 lm/W
- CCT: 3000K
- CRI index: 83
- Lifetime: >50000h L70 @ 25°C

## Electrical Facts

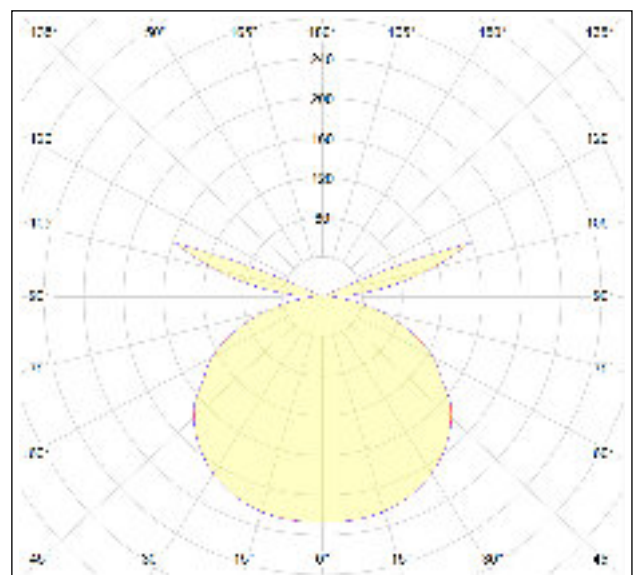
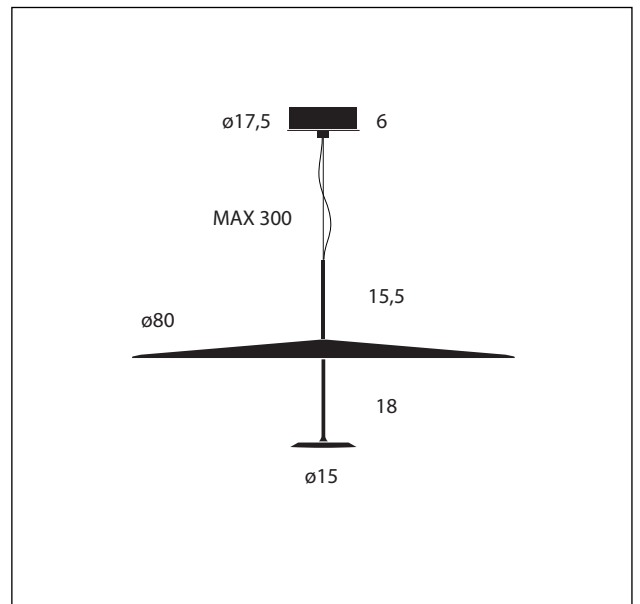
- Source power: 39 W
- Power absorption: 41 W
- Stand-by absorption: < 2 W
- Grid voltage: 100-240V AC/50-60 Hz
- Power supply: internal AC-DC converter provided
- Dimmability: 1-10V, DALI dimmable
- Energy class: A++

## Technical data

- Environment: indoor
- Placement: pendant
- Net weight: 7,7 Kg
- Certifications: CE
- Suggested ambient T: 25°C
- Maximum ambient T: 40°C
- Insulation class: I
- Protection class: IP20

Packaging  
cardboard box  
90 x 90 x 28 (cm)  
0,30 m<sup>3</sup>

Gross weight  
18 Kg



# Dot 800

design Foster + Partners, 2015

release 2019, December



Suspended lamp for indirect lighting with integrated LED source and diffused light optic system.


Aluminium structure with steel matt-painted reflector.


1-10V dimming or DALI dimming available.

The decentralizing kit is always included.

## Finishing

### Standard

 Anodised black  
cod. 131D01XOK27

 Anodised brass  
cod. 131D50XOK27

All RAL coating and galvanic finishes available upon request

## Light emission

- Light emission: diffuse
- Light direction: indirect downlight
- Light source: led board
- Source flux: 3080 lm
- Emitted flux: 1690 lm
- Efficacy: 41 lm/W
- CCT: 2700K
- CRI index: 83
- Lifetime: >50000h L70 @ 25°C

## Electrical Facts

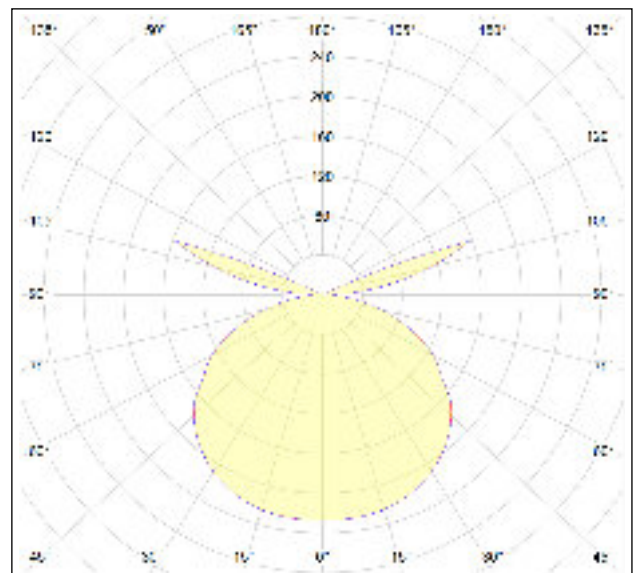
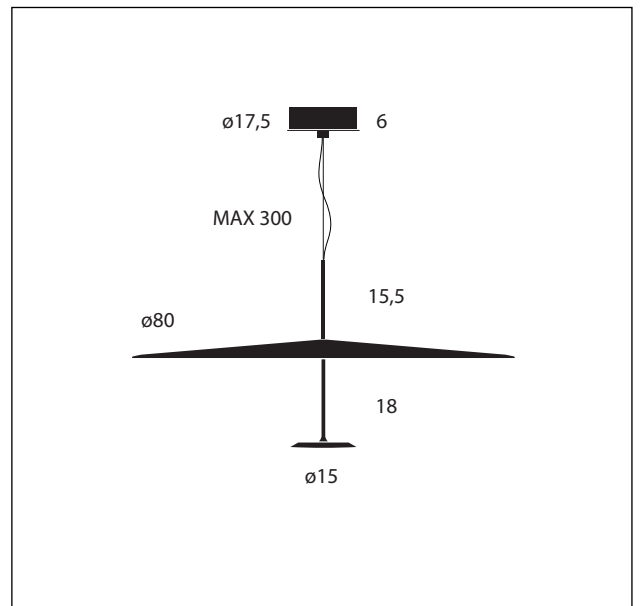
- Source power: 39 W
- Power absorption: 41 W
- Stand-by absorption: < 2 W
- Grid voltage 100-240V AC/50-60 Hz
- Power supply: internal AC-DC converter provided
- Dimmability: 1-10V, DALI dimmable
- Energy class: A++

## Technical data

- Environment: indoor
- Placement: pendant
- Net weight: 7,7 Kg
- Certifications: CE
- Suggested ambient T: 25°C
- Maximum ambient T: 40°C
- Insulation class: I
- Protection class: IP20

Packaging  
cardboard box  
90 x 90 x 28 (cm)  
0,30 m<sup>3</sup>

Gross weight  
18 Kg



# Dot 800

design Foster + Partners, 2015

release 2019, December



Suspended lamp for indirect lighting with integrated LED source and diffused light optic system.


Aluminium structure with steel matt-painted reflector.


1-10V dimming available.

The decentralizing kit is always included.

## Finishing

### Standard

 Anodised black  
cod. 131D01XO00ETL

 Anodised brass  
cod. 131D50XO00ETL

All RAL coating and galvanic finishes available upon request

## Light emission

- Light emission: diffuse
- Light direction: indirect downlight
- Light source: led board
- Source flux: 3250 lm
- Emitted flux: 1780 lm
- Efficacy: 43 lm/W
- CCT: 3000K
- CRI index: 83
- Lifetime: >50000h L70 @ 25°C

## Electrical Facts

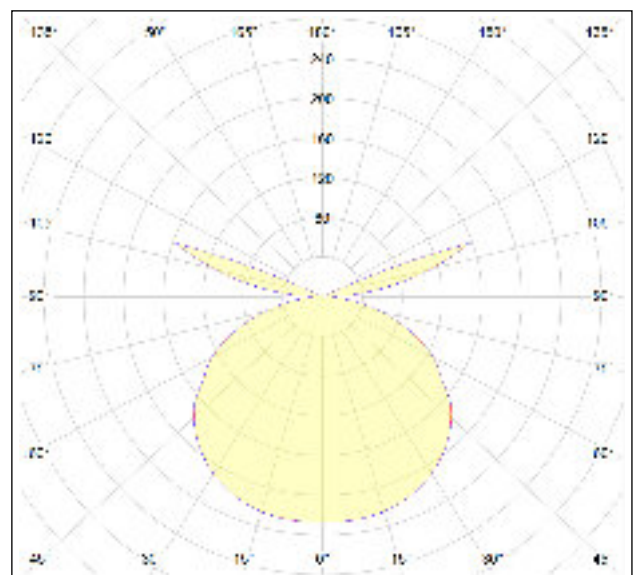
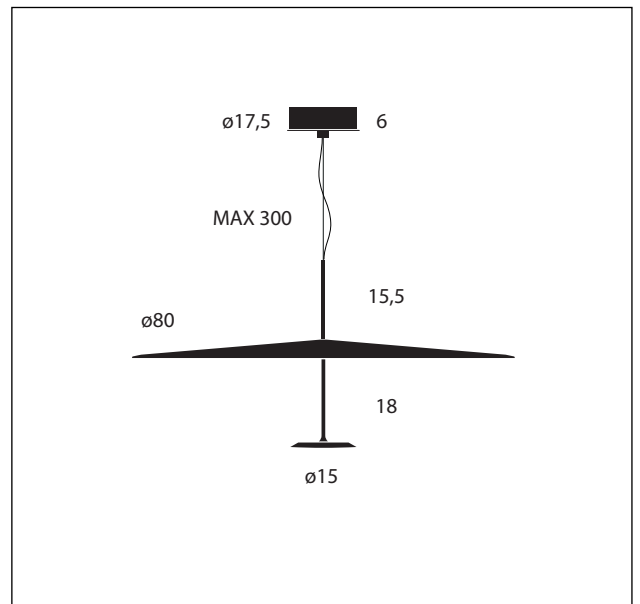
- Source power: 39 W
- Power absorption: 41 W
- Stand-by absorption: < 2 W
- Grid voltage: 100-240V AC/50-60 Hz
- Power supply: internal AC-DC converter provided
- Dimmability: 1-10V dimmable

## Technical data

- Environment: indoor
- Placement: pendant
- Net weight: 7,7 Kg
- Certifications: ETL
- Suggested ambient T: 25°C
- Maximum ambient T: 40°C
- Insulation class: I
- Protection class: IP20

Packaging  
cardboard box  
90 x 90 x 28 (cm)  
0,30 m<sup>3</sup>

Gross weight  
18 Kg



# Dot 800

design Foster + Partners, 2015

release 2019, December



Suspended lamp for indirect lighting with integrated LED source and diffused light optic system.  
Aluminium structure with steel matt-painted reflector.  
1-10V dimming available.  
The decentralizing kit is always included.

## Finishing

### Standard

- Anodised black  
cod. 131D01XOK27ETL
- Anodised brass  
cod. 131D50XOK27ETL

All RAL coating and galvanic finishes available upon request

## Light emission

- Light emission: diffuse
- Light direction: indirect downlight
- Light source: led board
- Source flux: 3080 lm
- Emitted flux: 1690 lm
- Efficacy: 41 lm/W
- CCT: 2700K
- CRI index: 83
- Lifetime: >50000h L70 @ 25°C

## Electrical Facts

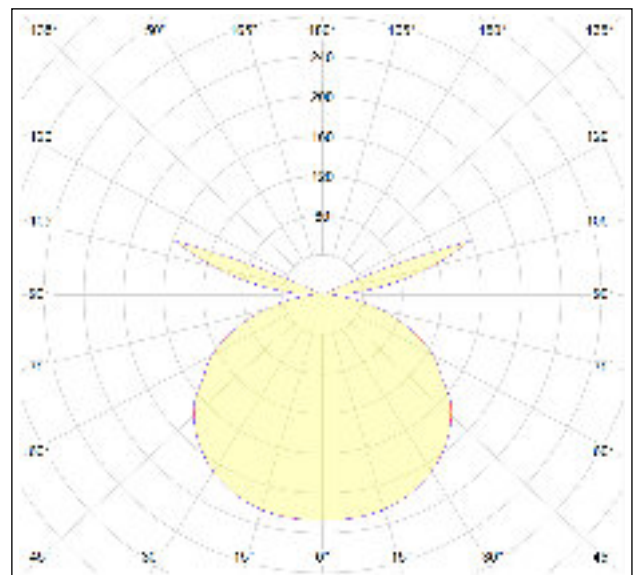
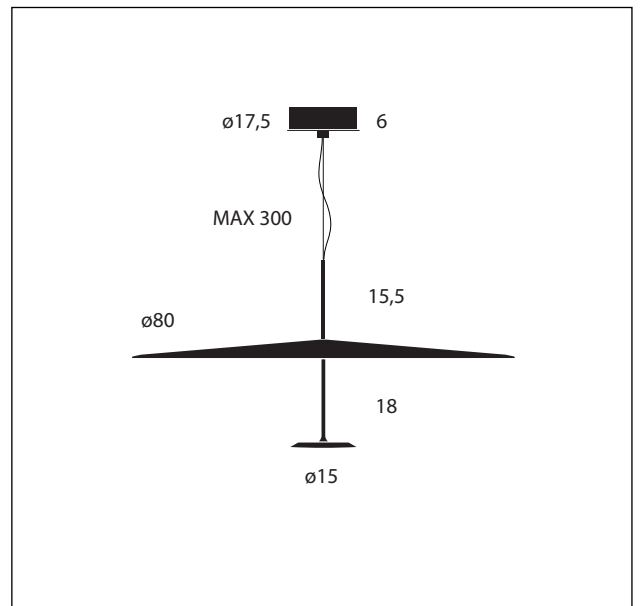
- Source power: 39 W
- Power absorption: 41 W
- Stand-by absorption: < 2 W
- Grid voltage: 100-240V AC/50-60 Hz
- Power supply: internal AC-DC converter provided
- Dimmability: 1-10V dimmable

## Technical data

- Environment: indoor
- Placement: pendant
- Net weight: 7,7 Kg
- Certifications: ETL
- Suggested ambient T: 25°C
- Maximum ambient T: 40°C
- Insulation class: I
- Protection class: IP20

Packaging  
cardboard box  
90 x 90 x 28 (cm)  
0,30 m<sup>3</sup>

Gross weight  
18 Kg





# Dot 1100

design Foster + Partners, 2015

release 2019, December



Suspended lamp for indirect lighting with integrated LED source and diffused light optic system.


Aluminium structure with steel matt-painted reflector.


1-10V dimming or DALI dimming available.

The decentralizing kit is always included.

## Finishing

### Standard

 Anodised black  
cod. 132D01XO00

 Anodised brass  
cod. 132D50XO00

All RAL coating and galvanic finishes available upon request

## Light emission

- Light emission: diffuse
- Light direction: indirect downlight
- Light source: led board
- Source flux: 4750 lm
- Emitted flux: 2020 lm
- Efficacy: 38 lm/W
- CCT: 3000K
- CRI index: 83
- Lifetime: >50000h L70 @ 25°C

## Electrical Facts

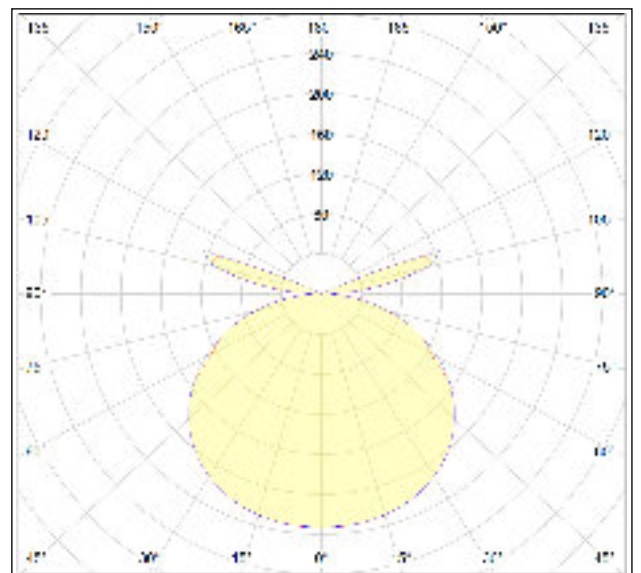
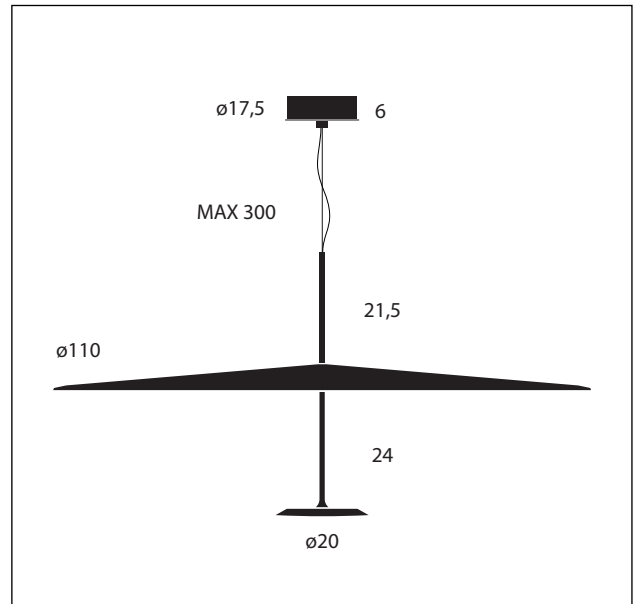
- Source power: 52 W
- Power absorption: 54 W
- Stand-by absorption: < 2 W
- Grid voltage: 100-240V AC/50-60 Hz
- Power supply: internal AC-DC converter provided
- Dimmability: 1-10V, DALI dimmable
- Energy class: A++

## Technical data

- Environment: indoor
- Placement: pendant
- Net weight: 15,5 Kg
- Certifications: CE
- Suggested ambient T: 25°C
- Maximum ambient T: 40°C
- Insulation class: I
- Protection class: IP20

Packaging  
cardboard box  
118 x 118 x 35 (cm)  
0,56 m<sup>3</sup>

Gross weight  
25 Kg



# Dot 1100

design Foster + Partners, 2015

release 2019, December



Suspended lamp for indirect lighting with integrated LED source and diffused light optic system.


Aluminium structure with steel matt-painted reflector.


1-10V dimming or DALI dimming available.

The decentralizing kit is always included.

## Finishing

### Standard

 Anodised black  
cod. 132D01XOK27

 Anodised brass  
cod. 132D50XOK27

All RAL coating and galvanic finishes available upon request

## Light emission

- Light emission: diffuse
- Light direction: indirect downlight
- Light source: led board
- Source flux: 4570 lm
- Emitted flux: 1950 lm
- Efficacy: 36 lm/W
- CCT: 2700K
- CRI index: 83
- Lifetime: >50000h L70 @ 25°C

## Electrical Facts

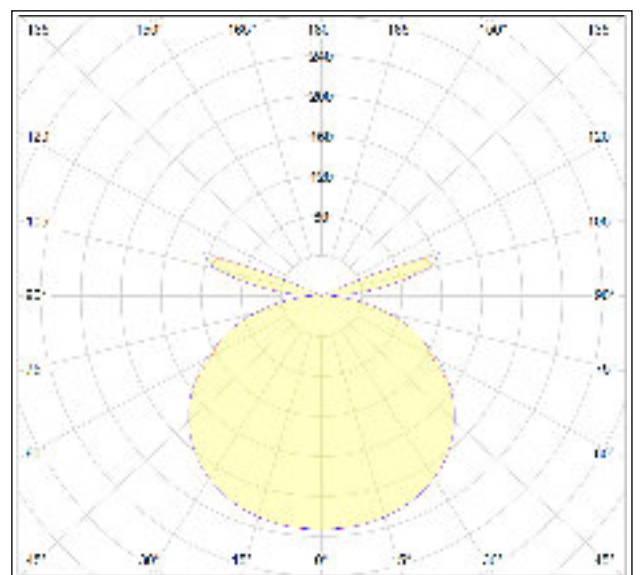
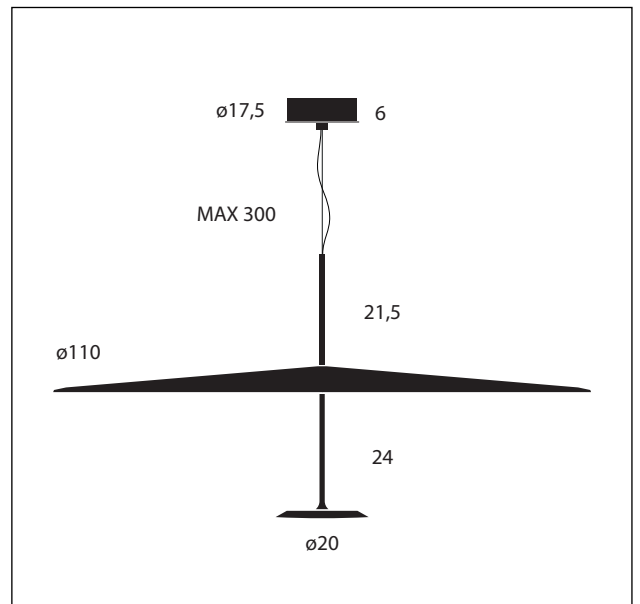
- Source power: 52 W
- Power absorption: 54 W
- Stand-by absorption: < 2 W
- Grid voltage: 100-240V AC/50-60 Hz
- Power supply: internal AC-DC converter provided
- Dimmability: 1-10V, DALI dimmable
- Energy class: A++

## Technical data

- Environment: indoor
- Placement: pendant
- Net weight: 15,5 Kg
- Certifications: CE
- Suggested ambient T: 25°C
- Maximum ambient T: 40°C
- Insulation class: I
- Protection class: IP20

Packaging  
cardboard box  
118 x 118 x 35 (cm)  
0,56 m<sup>3</sup>

Gross weight  
25 Kg



# Dot 1100

design Foster + Partners, 2015


release 2019, December




Suspended lamp for indirect lighting with integrated LED source and diffused light optic system.  
Aluminium structure with steel matt-painted reflector.  
1-10V dimming available.  
The decentralizing kit is always included.

## Finishing

### Standard

 Anodised black  
cod. 132D01XO00ETL

 Anodised brass  
cod. 132D50XO00ETL

All RAL coating and galvanic finishes available upon request

## Light emission

- Light emission: diffuse
- Light direction: indirect downlight
- Light source: led board
- Source flux: 4750 lm
- Emitted flux: 2020 lm
- Efficacy: 38 lm/W
- CCT: 3000K
- CRI index: 83
- Lifetime: >50000h L70 @ 25°C

## Electrical Facts

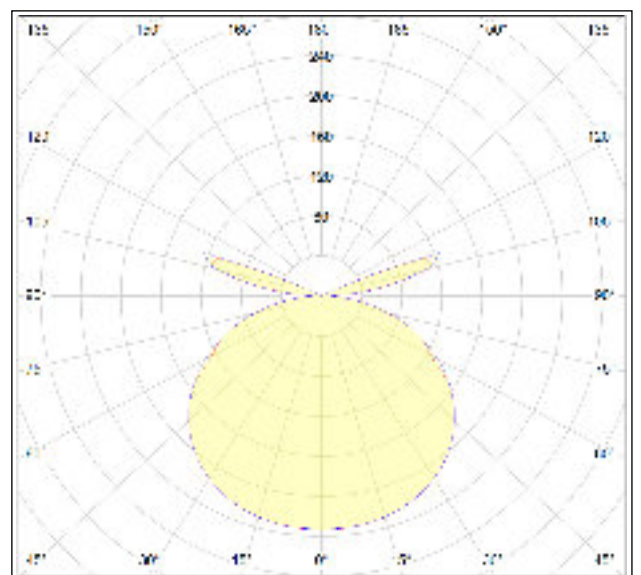
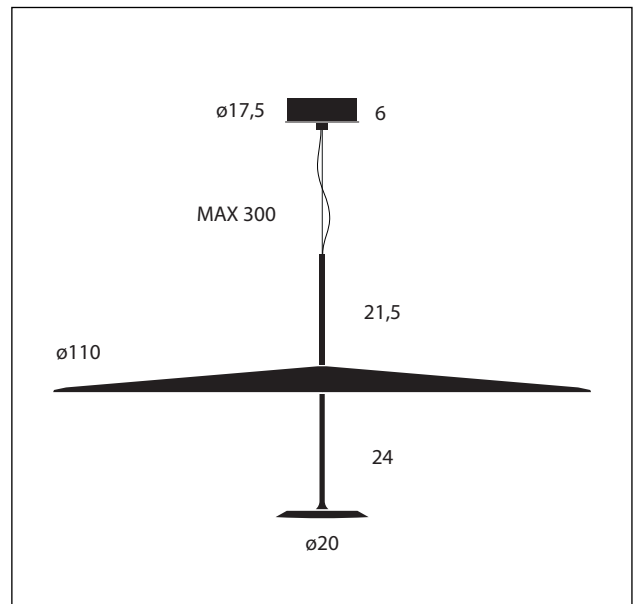
- Source power: 52 W
- Power absorption: 54 W
- Stand-by absorption: < 2 W
- Grid voltage 100-240V AC/50-60 Hz
- Power supply: internal AC-DC converter provided
- Dimmability: 1-10V dimmable

## Technical data

- Environment: indoor
- Placement: pendant
- Net weight: 15,5 Kg
- Certifications: ETL
- Suggested ambient T: 25°C
- Maximum ambient T: 40°C
- Insulation class: I
- Protection class: IP20

Packaging  
cardboard box  
118 x 118 x 35 (cm)  
0,56 m<sup>3</sup>

Gross weight  
25 Kg



# Dot 1100

design Foster + Partners, 2015

release 2019, December



Suspended lamp for indirect lighting with integrated LED source and diffused light optic system.  
Aluminium structure with steel matt-painted reflector.  
1-10V dimming available.  
The decentralizing kit is always included.

## Finishing

### Standard

- Anodised black  
cod. 132D01XOK27ETL
- Anodised brass  
cod. 132D50XOK27ETL

All RAL coating and galvanic finishes available upon request

## Light emission

- Light emission: diffuse
- Light direction: indirect downlight
- Light source: led board
- Source flux: 4570 lm
- Emitted flux: 1950 lm
- Efficacy: 36 lm/W
- CCT: 2700K
- CRI index: 83
- Lifetime: >50000h L70 @ 25°C

## Electrical Facts

- Source power: 52 W
- Power absorption: 54 W
- Stand-by absorption: < 2 W
- Grid voltage 100-240V AC/50-60 Hz
- Power supply: internal AC-DC converter provided
- Dimmability: 1-10V dimmable

## Technical data

- Environment: indoor
- Placement: pendant
- Net weight: 15,5 Kg
- Certifications: ETL
- Suggested ambient T: 25°C
- Maximum ambient T: 40°C
- Insulation class: I
- Protection class: IP20

Packaging  
cardboard box  
118 x 118 x 35 (cm)  
0,56 m<sup>3</sup>

Gross weight  
25 Kg

