

Design: Foster + Partners, 2015



Table lamp for indirect lighting with a 18,8 W LED source. Light intensity is adjustable through a rotating dimmer. Aluminium structure with transparent glass diffuser.

#### Finishing

Standard

Special



Anodised black  
cod. 14001X000



Anodised brass  
cod. 14050X000

All RAL coating and galvanic finishes available upon request

#### Light emission

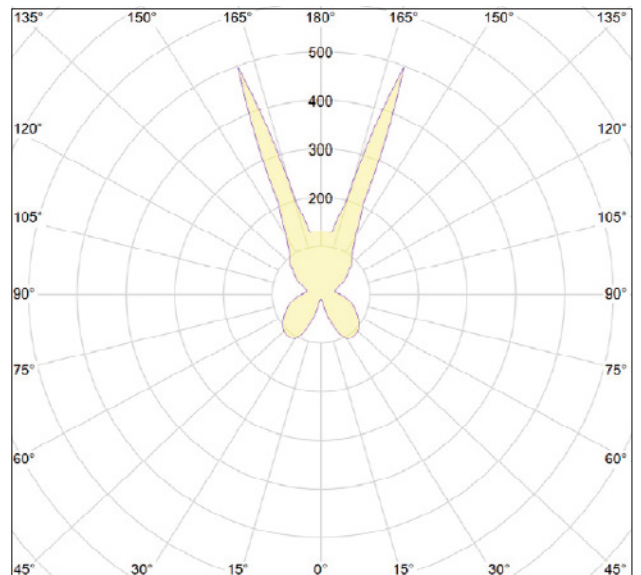
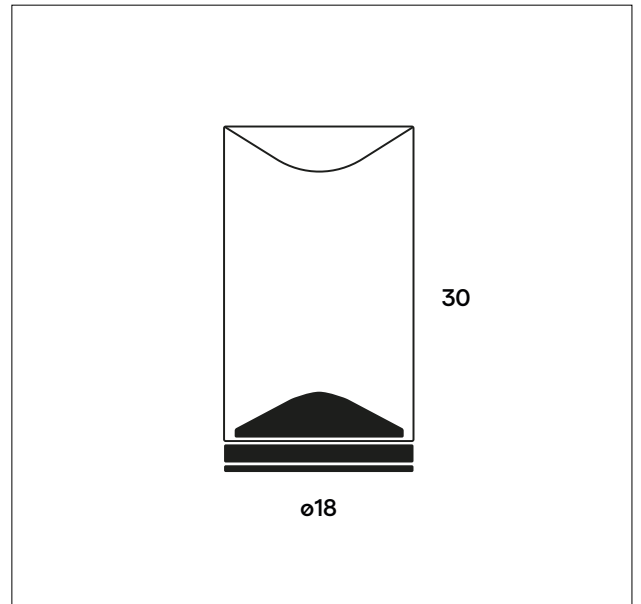
- Light emission: diffuse
- Light direction: indirect downlight
- Light source: led board
- Source flux: 1500 lm
- Emitted flux: 315 lm
- Efficacy: 17 lm/W
- CCT: 3000K
- CRI index: >95
- LLMF: 50000 h

#### Electrical Facts

- Source power: 18 W
- Power absorption: 18,5 W
- Stand-by absorption: < 1 W
- Grid voltage: 100 – 240 V AC / 50-60 Hz
- Power supply: multiplug AC-DC converter provided
- Dimmability: internal dimmer with rotating interface
- Energy class: A++

#### Technical data

- Environment: indoor
- Placement: table
- Net weight: 5,6 Kg
- Certifications: CE
- Suggested ambient T: 25°C
- Maximum ambient T: 40°C
- Insulation class: III
- Protection class: IP20



Packaging  
cardboard box  
27 x 27 x 47 (cm)  
0,04 m<sup>3</sup>

Gross weight  
7,2 Kg

Design: Foster + Partners, 2015



Table lamp for indirect lighting with a 18,8 W LED source. Light intensity is adjustable through a rotating dimmer. Aluminium structure with transparent glass diffuser.

#### Finishing

Standard

Special



Anodised black  
cod. 14001XOK27



Anodised brass  
cod. 14050XOK27

All RAL coating and galvanic finishes available upon request

#### Light emission

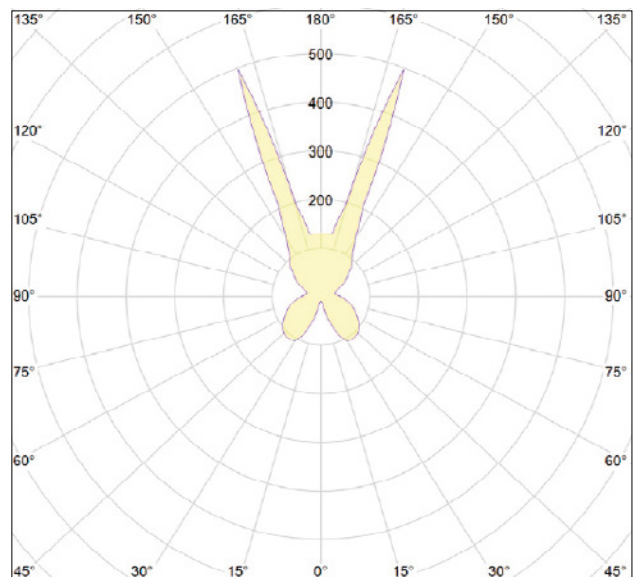
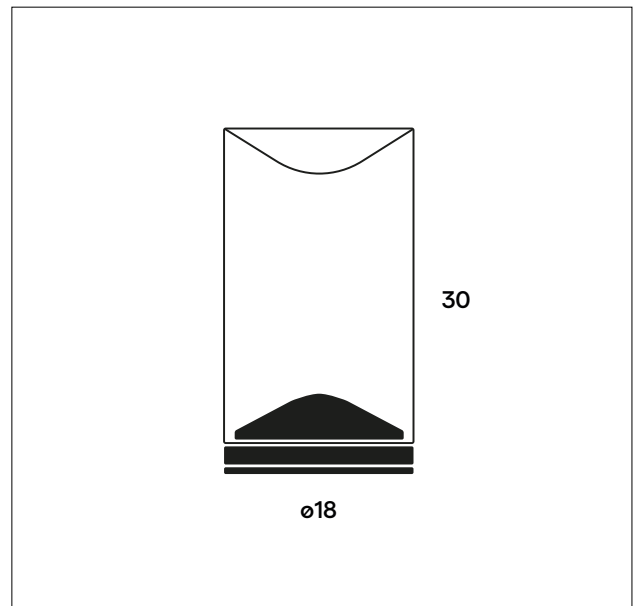
- Light emission: diffuse
- Light direction: indirect downlight
- Light source: led board
- Source flux: 1450 lm
- Emitted flux: 305 lm
- Efficacy: 16 lm/W
- CCT: 2700K
- CRI index: >95
- LLMF: 50000 h

#### Electrical Facts

- Source power: 18 W
- Power absorption: 18,5 W
- Stand-by absorption: < 1 W
- Grid voltage: 100 – 240 V AC / 50-60 Hz
- Power supply: multiplug AC-DC converter provided
- Dimmability: internal dimmer with rotating interface
- Energy class: A++

#### Technical data

- Environment: indoor
- Placement: table
- Net weight: 5,6 Kg
- Certifications: CE
- Suggested ambient T: 25°C
- Maximum ambient T: 40°C
- Insulation class: III
- Protection class: IP20



Packaging  
cardboard box  
27 x 27 x 47 (cm)  
0,04 m<sup>3</sup>

Gross weight  
7,2 Kg